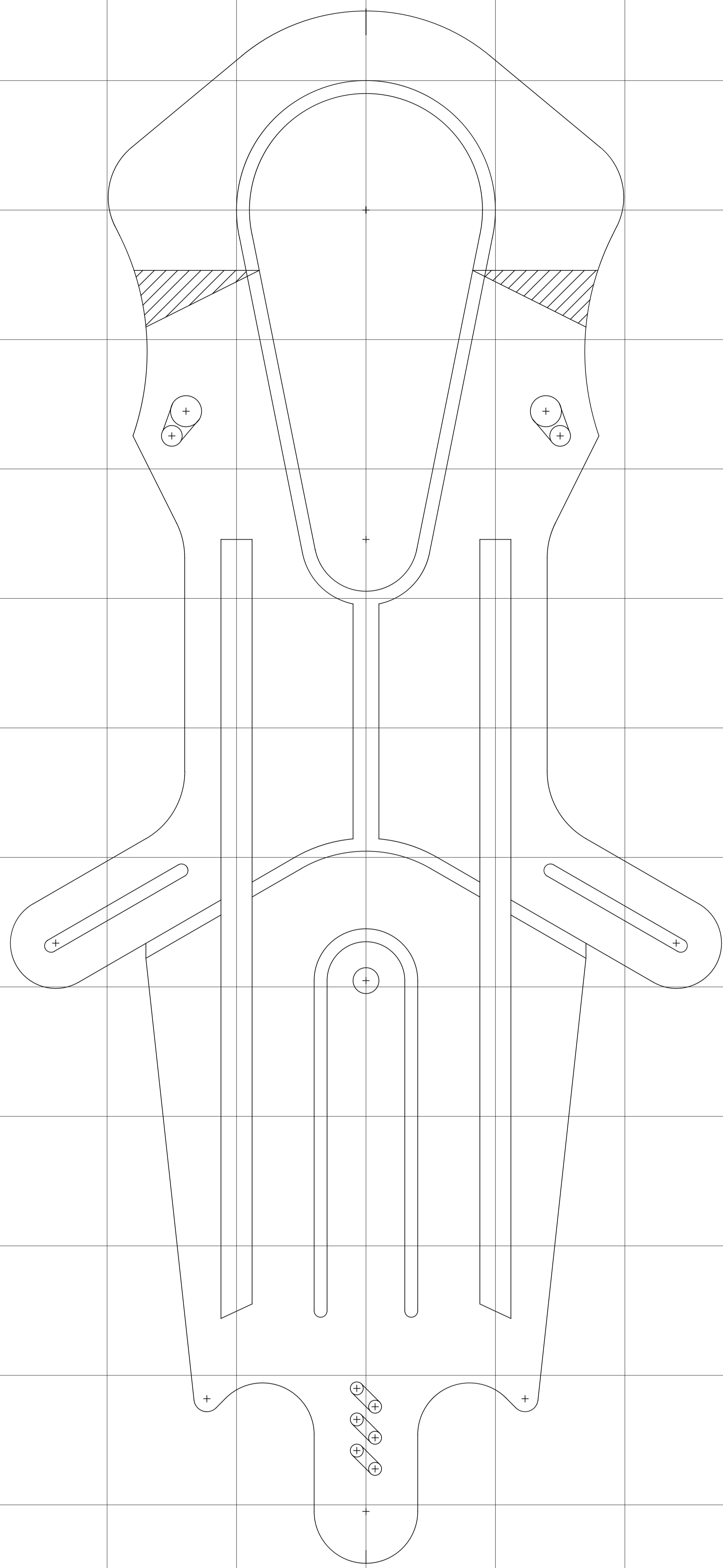


IRON LEGACY

SAM ARMS



Notes:

1. See associated notes at www.superpants.net for further useful information on assembly and images. Layer 1- (Base) use foam 4mm thick
2. Scale 1:1 when printed at A0
3. This design has been based on the EL panel kit sold by EL Wire Craft in the UK, supplemented with several extra parts. Before use, check that your panel kit is compatible drawing page 1 will assist.
2. The torso piece with two rings on will require careful cutting and sealing where shown.
2. This design has been based on my dimensions (5'11", 32" waist, 10 1/2 Stone (1.81m, 0.82m, 67kg). Design will therefore require modification for those of a different size. Sizing is based on parts being directly glued to a spandex/ Lycra under-suit.
3. The design is intended to use Plastazote foam 4mm for the base layer & 2mm thick for the top layer. Other foams such as EVA will flex differently and may require design changes.
6. The drawing is designed to be printed 1:1 on A0 paper. Grid lines are provided to help alignment if printing on smaller paper. Use scale bar or reference dimensions to ensure print is at correct scale.
7. The design has been re-created from still images and screen grabs from the film, modified to suit the EL panels available and to make the design practical to assemble from flat foam. It is therefore not truly 'screen accurate'.
8. I have made best endeavours to ensure the design is accurate, however if you spot errors or wish to contact me, please email info@superpants.net
9. EL panels are expected to be mounted using extra thin hook and loop fixings- 'Velcro'.
10. This design copyright (c) of M. Pantrey, 2016 but is released under a creative commons license for personal use- Attribution, non-commercial, Share Alike.